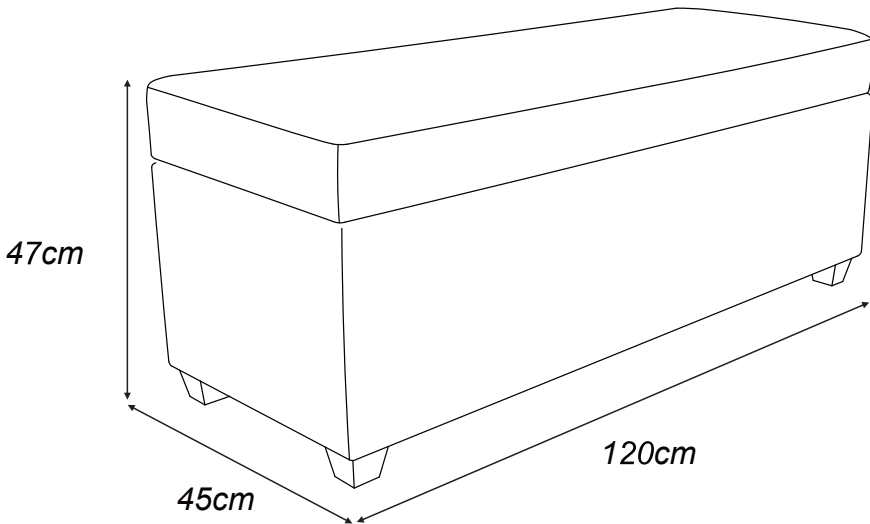


# living & co.

## TURNER STORAGE BENCH



### INSTRUCTION MANUAL

THE MAXIMUM WEIGHT THIS PRODUCT CAN HOLD UP TO :100 KGS



---

AFTER SALES SUPPORT

 (NZ) 0800 422 274



## Assembly Details

<p><b>30</b> mins</p> <p>Approximate Assembly Time</p>	<p></p> <p>1 person assembly</p>	<p>Floor Area:</p> <p><b>2x1</b> meters</p> <p>Required Assembly Space</p> <p></p>
--	---	--

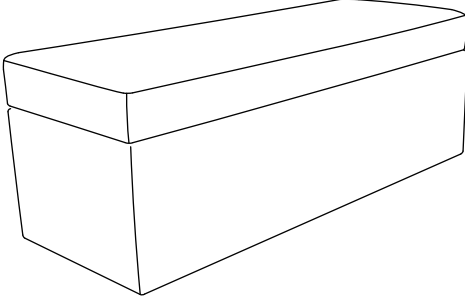
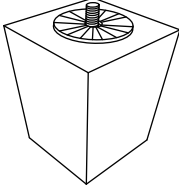
## Tips Before you Start

1. For the protection of your furniture, we recommend that the product is placed on a protected surface during assembly to prevent any damage.
2. Please check that all parts are present before you start the assembly of your furniture.
3. For ease and speed of assembly, we recommend that you identify all the parts required for each step before commencing with assembly.
4. For larger items, please ensure that you have sufficient space and people (as indicated on page 1) to assemble your product safely.
5. We recommend that, where possible, all items are assembled near to the area in which they will be placed in use, to avoid moving the product unnecessarily.
6. During assembly please take care not to over-tighten any hardware, as this may damage the product. Do not use power tools.
7. Always place the product on a steady and stable surface.
8. Do not stand on the product. Do not use the product as a stepladder.
9. This product is intended for indoor, household use only as it is a non-industrial product.

## Care and Maintenance

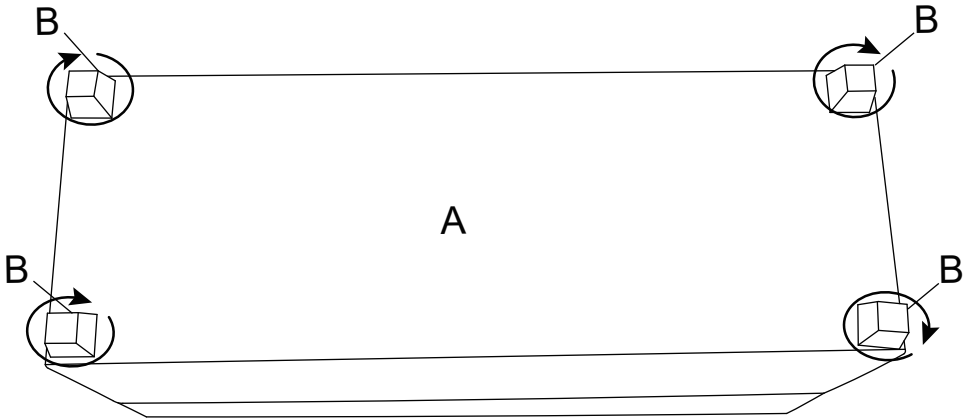
- Please periodically check all things and re-tighten as necessary.
- To clean your item, please use a damp cloth and wipe clean.
- Never allow any kind of liquid to remain on your furniture.
- Please do not place hot items (eg. Hot drinks) directly on to the surface.

# Part Name

			
A	1 PCS	B	4 PCS

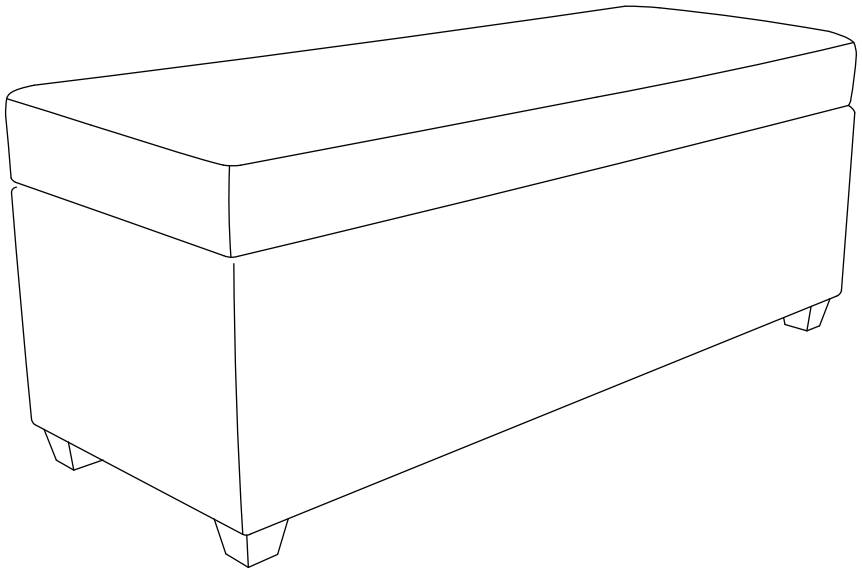
# Assembly

## STEP 1



# Assembly

**STEP 2**





# living & co.

## Warranty

We pride ourselves on producing a range of quality products that are both packed with features and completely reliable. We are so confident in our products, we back them up with a one-year warranty.

Now you too can relax knowing that you are covered.

Customer Helpline NZ: 0800 422 274  
This product is covered by 1 year warranty  
when accompanied by proof of purchase.

---

**AFTER SALES SUPPORT**

  **0800 422 274**